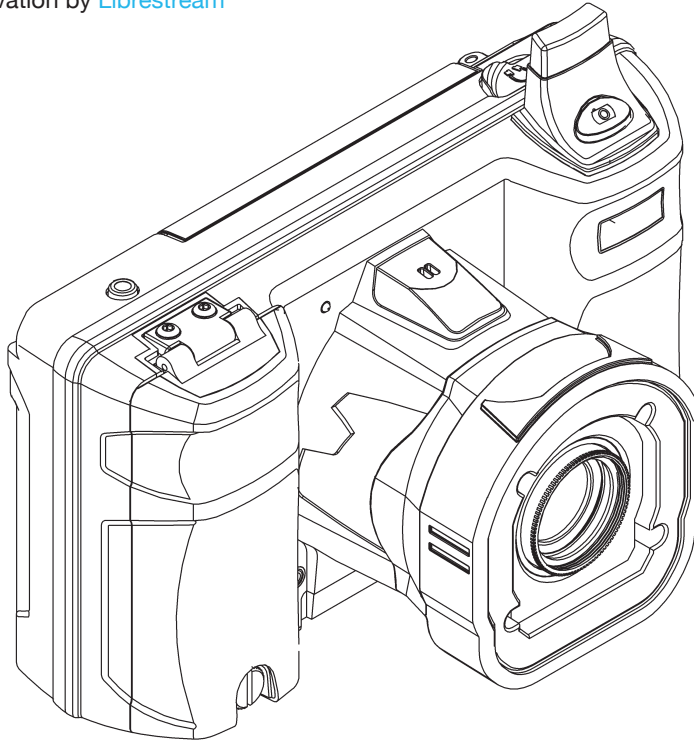


Quick Start **Guide**



Onsight 2000/2500 Mobile Collaboration System
Another Innovation by **Librestream**



Your Onsight 2000/2500 Package

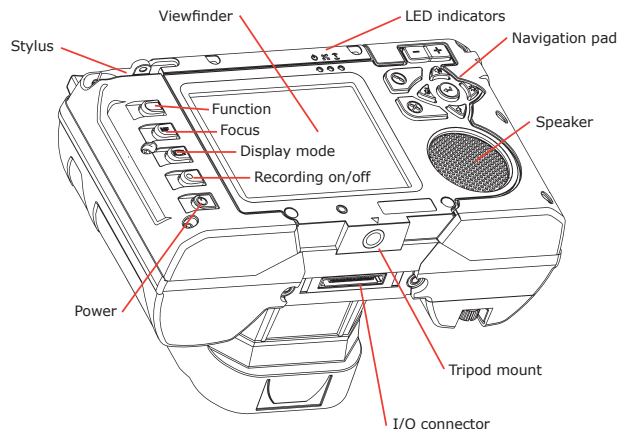
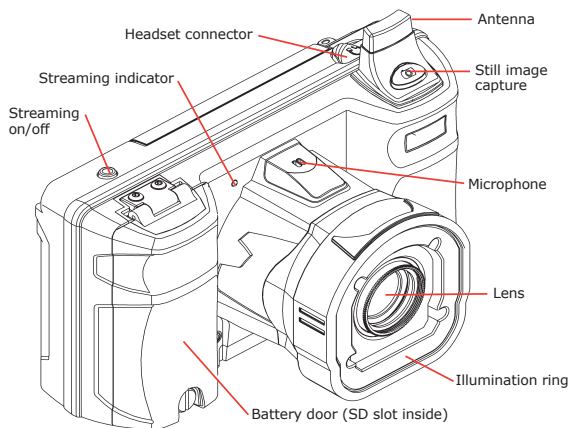
- Onsight 2xxx
- External Power Adapter
- Stylus (2)
- Battery
- Wrist Strap
- I/O Cover
- Power Sled
- Lens Cover
- CD with User Manuals, end user license agreement, and Onsight Expert software
- Regulatory and Safety Guide



Before using the Onsight device, you must read the enclosed Onsight 2000/2500 Regulatory and Safety Guide.

The Onsight device is designed to communicate with the Onsight Expert mobile collaboration application, using a network that has already been set up and configured.

This Quick Start Guide highlights key functions. For detailed information on operating the Onsight device or Onsight Expert software, refer to the user manuals provided on the Onsight CD.



Installing the Battery

Important: Before using this device for the first time you must install and charge the battery. The device will not operate on the external adapter alone. You must have a battery installed. Refer to the instructions below.

1. Open the battery compartment door (Figure 1) using the stylus screwdriver. Align the contact edge of the battery with the small recess lines in the battery compartment, keeping the opposite end of the battery up (Figure 2).

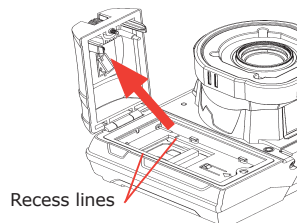


Figure 1

2. Slide the battery towards the compartment door and push downward to place in battery well. When the battery is sitting flat on the compartment floor (Figure 3), slide the battery towards the compartment door until seated.

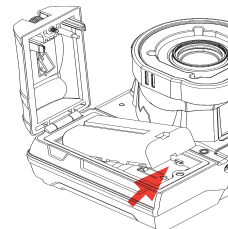


Figure 2

3. Close the battery compartment and tighten the screw. Note that the door will not close if the battery is not fully inserted, and the device will not start if the door is not properly closed.
4. Attach the Power Sled and use the external power adapter to charge the battery until the orange battery LED turns off (up to 8 hours).

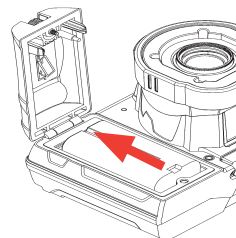
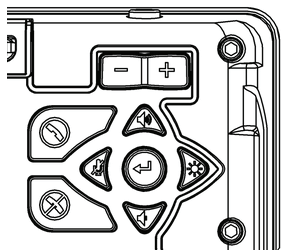


Figure 3

Navigation Pad



Button	Function
	Send (Start or accept call)
	End a call
	Volume up
	Mic mute
	Volume down
	Front illumination light on/off
	Pause Video / Enter
	Zoom

Turning Power On

Press and release the button to turn the Onsite device on.

Going to Standby

Press and release the button quickly to go to Standby mode. The Viewfinder will turn off to conserve power but the Power LED remains on.

Note: Standby mode is automatic if the device is not used for a specified period (default is 2 minutes).

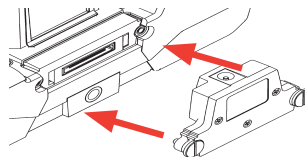
Turning Power Off

Press and hold the button for 2 seconds to turn the Onsite device off.

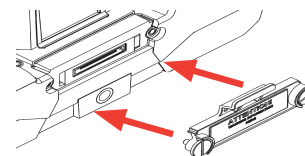
LED Indicators

LED	Name	Indicator
	Power	Green = On or Standby
	Network	Green = Network available Off = Network unavailable
	Battery	Orange = Battery is charging Off = Battery is charged or power is not connected

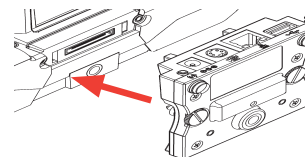
Power Sled



I/O Cover



I/O Sled (Optional)



Logging In

You may be prompted with a login screen on the Viewfinder, as shown below. To fill this in:

1. Tap the Username field with the stylus and select your user name from the list (your site administrator will provide this to you).
2. Tap the Password field with the stylus. An on-screen keyboard will appear.
3. Use the stylus to tap characters to enter them in the Password field.
4. Tap the Login button to finish logging in.


Important: When you are touching the Viewfinder screen, always use the stylus. Do not use other objects, as this could damage the Viewfinder screen.




Logging in on the Viewfinder screen

Accessing the Main Menu




- Press the  button once to see the call status, battery life remaining and wireless signal strength.
- Press a second time to see zoom, stream quality and media settings.
- Press a third time to access the main menu.


Displaying Contacts Directory

Press the  button to display the Local Contacts window.

Starting a Call

Display Local Contacts and use the stylus or navigation pad to select a name from the list. Then press  to start the call. You will hear outgoing rings or a busy signal.

Answering an Incoming Call

To answer a call, press .

Turning Video Streaming On or Off

When a call has been established (you can talk to the other user), press the green button on top of the device to start streaming video to Onsight Expert. Press it again to stop streaming.

Ending a Call

To end a call, press the .



Librestream

www.librestream.com

© Copyright 2010 All Rights Reserved.

PN 400142-01
June 2010